

NOTES:

1. MATERIAL AND FINISHES:
 BODY - BRASS, GOLD PLATING
 CONTACT - BRASS, GOLD PLATING
 SHELL - BRASS, GOLD PLATING
 INSULATOR - PTFE, NATURAL
 RESISTOR - 100 OHM, 0.1 WATT, 1%

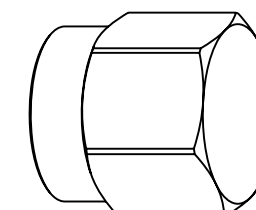
2. ELECTRICAL:
 A. IMPEDANCE: 50 OHM
 B. FREQUENCY RANGE: 0-18 GHz.
 C. VSWR (RETURN LOSS): 1.3 MAX.
 D. POWER RATING: 2 WATT

3. MECHANICAL:
 A. DURABILITY: 500 CYCLES MIN.
 B. TEMPERATURE RANGE: -65°C TO +165°C

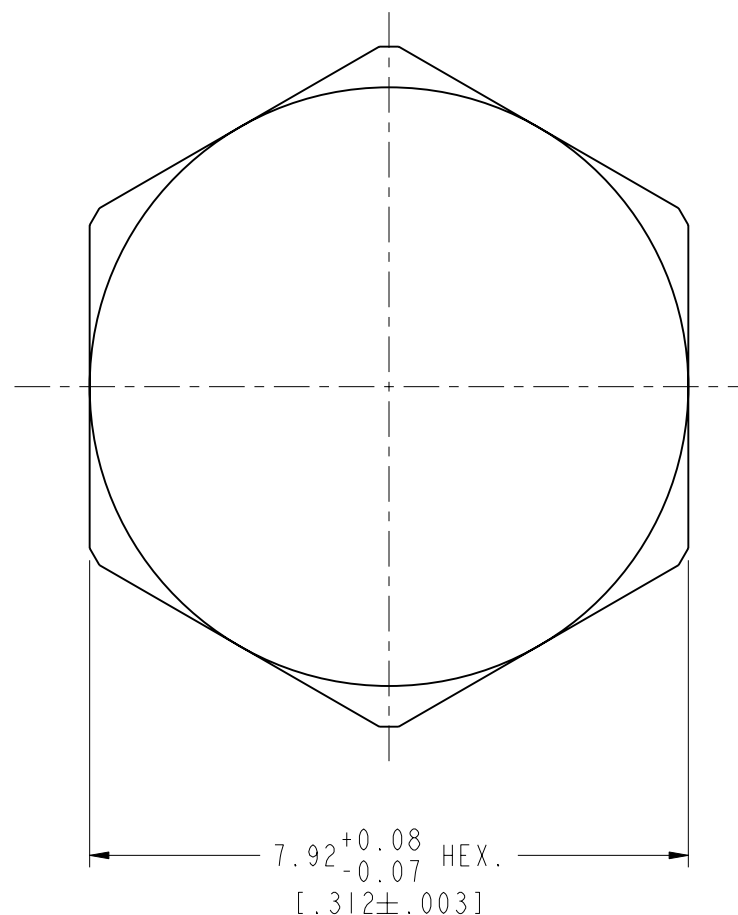
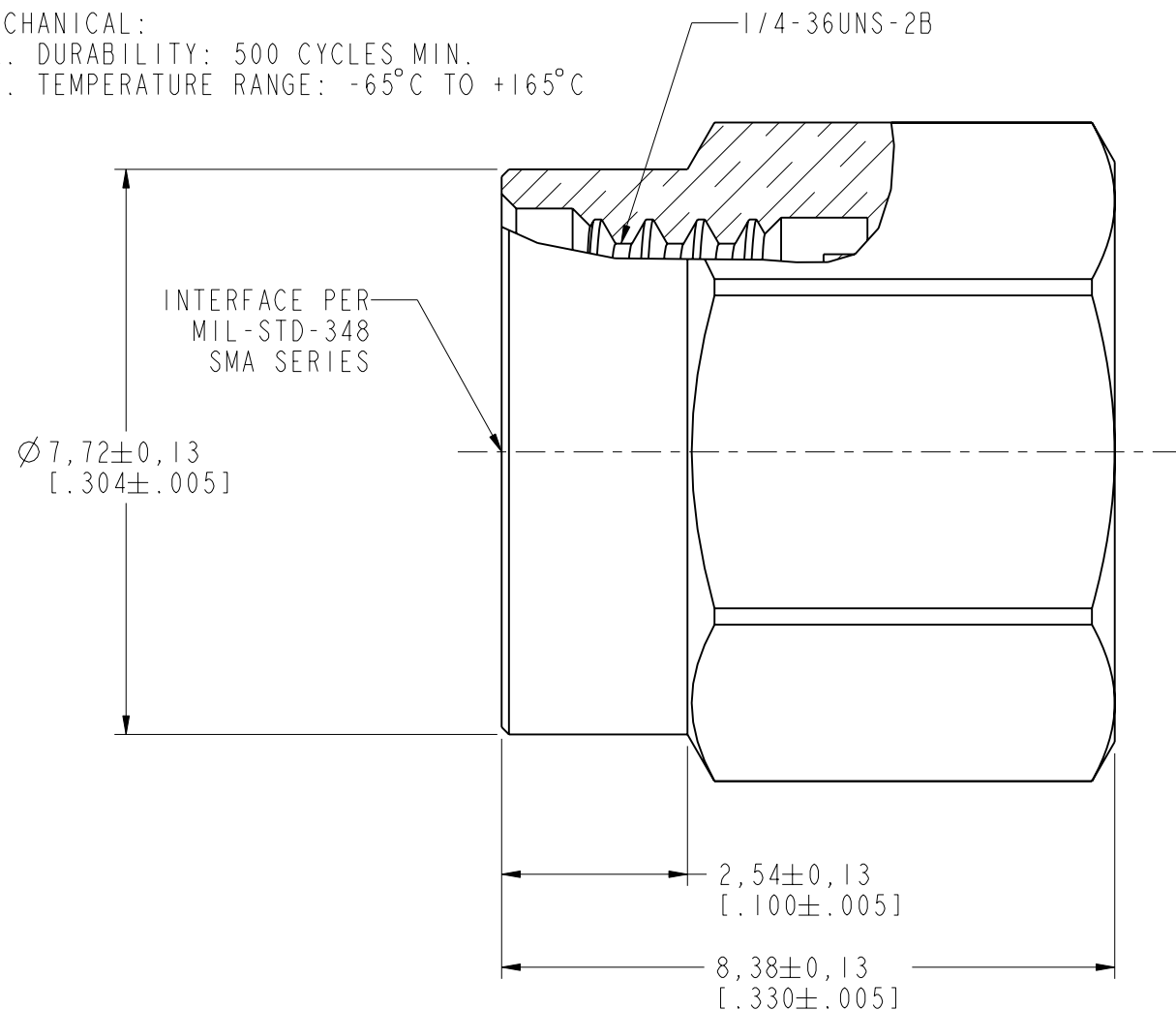
THIRD ANGLE PROJ.

REVISIONS

REV	DESCRIPTION	DATE	ECO	APPR
NC	INITIAL RELEASE	10-Nov-03	-----	GRS
A	UPDATE RESISTOR WATTAGE	15-Jan-05	-----	GRS
B	UPDATE THE RESISTOR'S DESCRIPTION	06-Oct-11	2236	MZ
C	THE DESIGN WAS CHANGED	30-Apr-12	2307	MZ
D	ADD RL AND POWER RATING SPECS PER CUSTOMER REQUEST	15-Jul-14	2768	MZ



SCALE 3.000



CUSTOMER OUTLINE DRAWING

ALL OTHER SHEETS ARE FOR INTERNAL USE ONLY

UNLESS OTHERWISE SPECIFIED, DIMENSIONS ARE IN METRIC AND TOLERANCES ARE:
 < 0.5mm ± 0.05mm 0.5 - 6mm ± 0.1mm 6 - 30mm ± 0.2mm 30 - 120mm ± 0.3mm ANGLES ± 1°

NOTICE - These drawings, specifications, or other data (1) are, and remain the property of Amphenol corp. (2) must be returned upon request; and (3) are confidential and not to be disclosed to any person other than those to whom they are given by Amphenol Corp. the furnishing of these drawings, specifications, or other data by Amphenol Corp., or to any other person to anyone for any purpose is not to be regarded by implication or otherwise in any manner licensing, granting rights to permitting such holder or any other person to manufacture, use or sell any product, process or design, patented or otherwise, that may in any way be related to or disclosed by said drawings, specifications, or other data.

MATERIAL	-
REFERENCE	SMA1005A4-001-3GT5GP-50
CONFIGURATION LEVEL:	
FINISH	

DRAWN	M. ZHANG	DATE	15-Jul-14
ENGINEER	S. LI	DATE	15-Jul-14
APPROVED	S. HSIEH	DATE	15-Jul-14
CAD FILE			

TITLE	
SMA TERMINATOR PLUG (50 OHMS)	
SCALE: 10.0:1.0	SHEET 3 OF 3
DWG SIZE	REV
B	D

Amphenol Connex	
DRAWING NO.	
ITEM NO.	
PART NO. 132360	